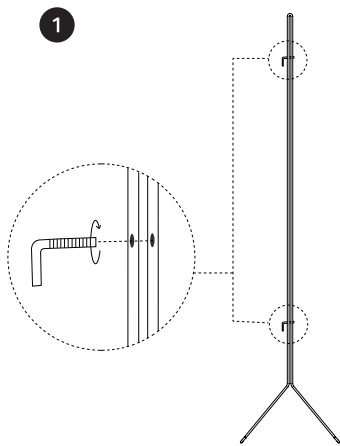
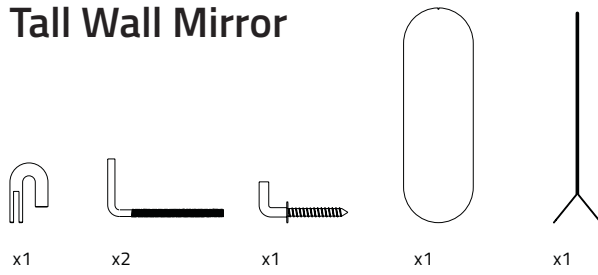
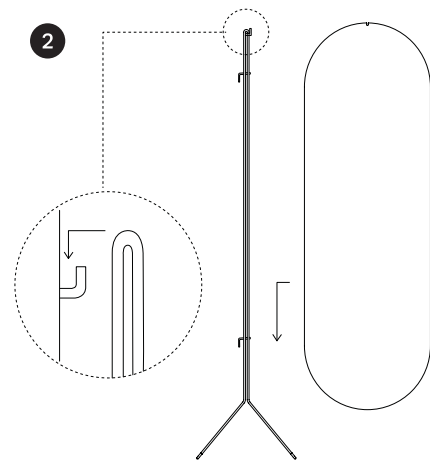


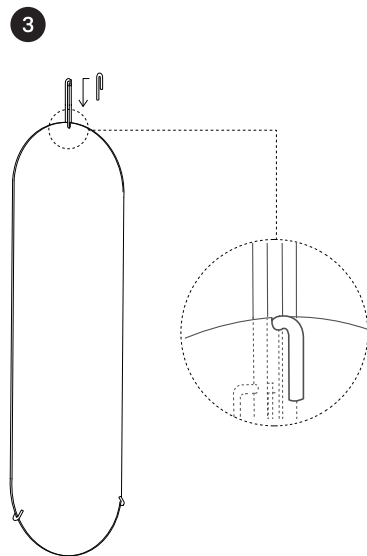
Tall Wall Mirror



At the beginning make sure that the L-shaped screws are in place to prevent the two sides coming apart.



Next, mount the frame on the wall. Ensure that the hook is securely fixed to your wall. Please use a suitable dowel and choose a different hook if required.



At the end make sure that the hook catches the L-shaped screw on the back so that the mirror cannot fall over.



Done!

**Congratulations
on your new**

Tall Wall Mirror

Our wall mirrors are frameless mirrors, which are held only by a light wire form. The mirrors are kept simple and allow the materials to speak for themselves.

Wall Mirror is designed to sit on a wall with as little nonsense as possible. Moulded from a single piece of mirror glass held by a light metal wire form. The mirror is suspended from a simple L-hook that is attached to the wall.

The construction of the wire, which only slightly touches the glass, makes the design simple and elegant. These mirrors have a soft and simple expression that fits in both minimalistic and classic environments.

