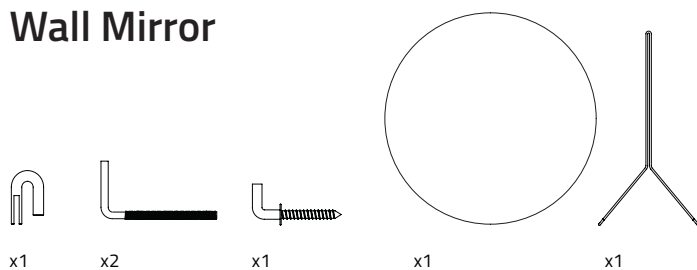
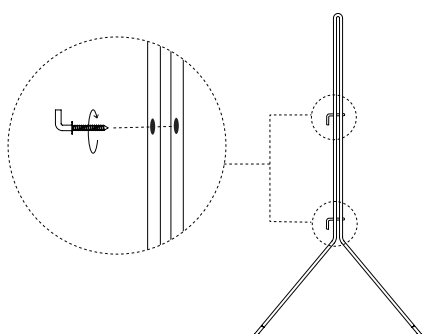


Wall Mirror

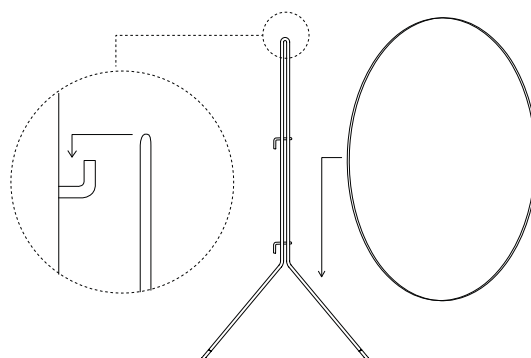


1



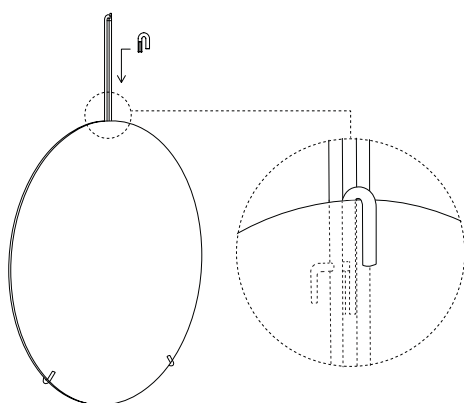
First make sure that the L-shaped screws are in place and prevent the two sides from coming apart.

2



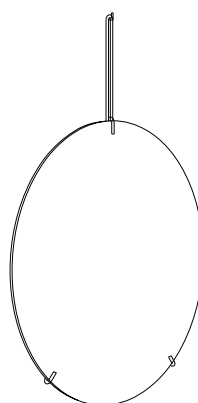
Afterwards fix the frame to the wall. Make sure that the hook is securely fixed to your wall. Please use a suitable dowel and choose a different hook if required.

3



Lastly, place the mirror in the assembled frame. Make sure that the hook catches the L-shaped screw on the back so that the mirror cannot fall over.

4



Done!

**Congratulations
on your new**

Wall Mirror

Our wall mirrors are frameless mirrors, which are held only by a light wire form. The mirrors are kept simple and allow the materials to speak for themselves.

Wall Mirror is designed to sit on a wall with as little nonsense as possible. Moulded from a single piece of mirror glass held by a light metal wire form. The mirror is suspended from a simple L-hook that is attached to the wall.

The construction of the wire, which only slightly touches the glass, makes the design simple and elegant. These mirrors have a soft and simple expression that fits in both minimalistic and classic environments.

