

Toilet Roll Holder

We hope very much that you are going to be happy with your new Toilet Roll Holder for many years to come. In the following pages you will find out how to assemble and look after your new piece of furniture.

Taking care of your Toilet Roll Holder

Wood

Your toilet roll holder has been treated with a clear, water based lacquer. If you need to clean it do so with a damp cloth using a mild detergent if needed.

Brass

The Brass pieces on your Toilet Roll Holder have been left untreated and will become darker and patinate over time. Should you wish, the brass can be restored to a polished finish using common metal polishes available in eg. most hardware stores.

Stainless steel and powdercoated steel

The stainless steel piece whether powder coated or untreated can be cleaned using most normal bathroom detergents. Please find information on the specific detergent you use, to make sure it will not damage the surface of the metal or paint.

Keep it going forever

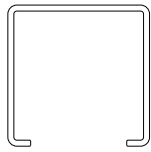
Even though your Toilet Roll Holder is designed to last a lifetime, sometimes you can end up in the situation where it breaks. Whether it's a large part or a small part don't fear. We make all of our designs easy and simple to repair. Simply head over to our website and navigate to the spare parts section and find the part you need. If you're in doubt, then we're only a phone call away. It should always be easier and cheaper to repair than buying new.

All of our designs are covered with a 5 year warranty from the date of purchase, covering any breakages related to deficient craftsmanship under normal everyday use.

Recycling

Whilst we hope that your MOEBE toilet roll holder will serve you well for many years to come, if you do at some point wish to recycle it then it is easy to do so. Simply split the product down into its separate parts and recycle them by material. All parts can be recycled. How this is done depends on local regulations and facilities.

Toilet Roll Holder



x1

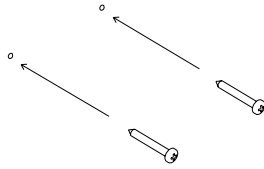


x1

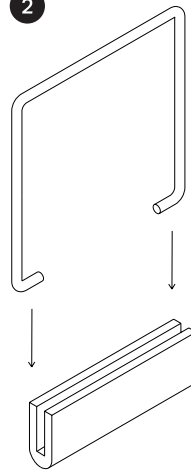


x2

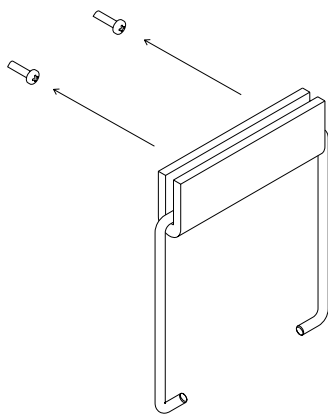
1



2



3



4

