

Nolle Console Table

Product Fact Sheet



Product description

Meet Nolle – a smart and modern console table designed to meet multiple needs. Thanks to its configurable construction and compact dimensions it serves well in a variety of spaces, including hallways, dining rooms and bathrooms. The spacious two or three tier trays and shelves are made of water-resistant steel, making Nolle a perfect outdoor piece of furniture. Enjoy the truly minimal design of Nolle and use it to instantly add character to your apartment.

Available variants



Vulcano Black

—
SKU:
FUR1501
FUR1503
FUR1511
FUR1513



Piazza Beige

—
SKU:
FUR1502
FUR1504
FUR1512
FUR1514

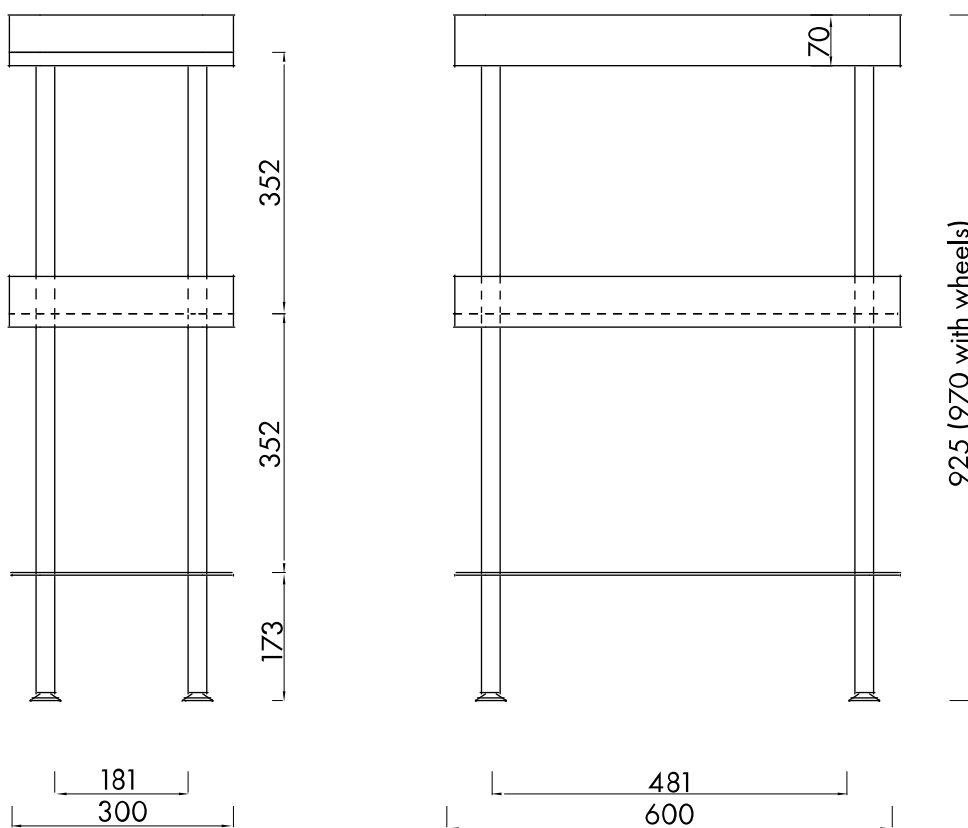
Designed by

noo.ma team / Anna Pietkun, Zuzanna
Muszalska, Damian Goliński

Category

Storage

Dimensions (mm)



Materials

Console Table: steel

Environment

Indoor

Produced in

Poland

Finish

Frame: powder coat

Additional information

- industrial & residential use
- stylish FSC certified veneer shelves
- three different colors to match any room

Delivery time

Most likely we do not own stock of this product - it is usually made to order. Regular delivery time for all furniture, beds and tables is 4-7 weeks. All products from one order are being shipped together unless otherwise stated.

Shipping & Delivery

noo.ma most commonly uses FedEx as a forwarder for this product. The service includes a delivery in one or several packages directly to your home/office with carrying up stairs.

3D Models

[Click here to download 3D models](#)

Contact us

Need our help? Contact us at support@noo.ma.

Visit www.noo.ma for more information.

Packaging

This furniture is packed in one durable box to assure security during transportation.

Assembly

All of our furniture are preassembled which means that all the pieces are already ready to use. Final assembly is simply connecting these pieces together using special connectors placed in all the components. This process is easy and does not require any special tools.

Care Guide

[Click here to download Care Guide](#)